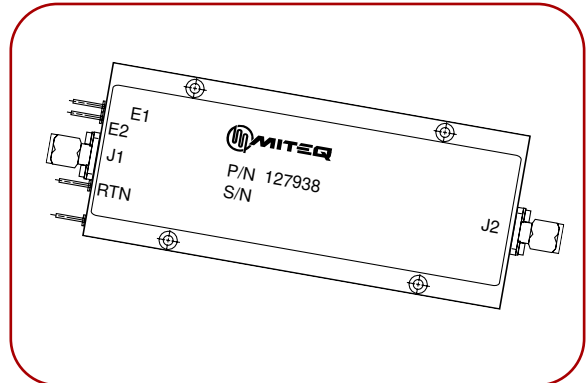


SWITCHABLE FILTER BANK

MODEL: 127938

FEATURES

- Single input and output
- Insertion loss..... 5 dB maximum
- Amplitude balance 0.5 dB maximum
- VSWR 1.5:1 maximum



MITEQ's model 127938 integrated, two part, switchable filter bank features two channelized, printed circuit filter banks, individually selectable by TTL driven, SP2T PIN switches the input and output. MITEQ's Microwave Assemblies, Systems and Technologies Group specializes in the manufacture of integrated switch filter assemblies and is able to offer a wide range of frequency ranges and a number of channels.

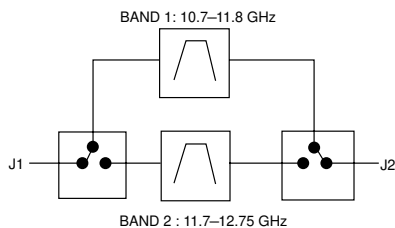
SPECIFICATIONS

PARAMETERS	BAND 1	BAND 2
Passband frequency	10.7–11.8 GHz	11.7–12.75 GHz
Insertion loss	5 dB maximum	5 dB maximum
Insertion loss flatness	0.7 dB maximum, 0.2 dB any 36 MHz band	0.7 dB maximum, 0.2 dB any 36 MHz band
Difference in band level	0.5 dB maximum	0.5 dB maximum
VSWR	1.5:1 maximum	1.5:1 maximum
Group delay (any 40 MHz band)		
Linear	0.01 ns/MHz maximum	0.01 ns/MHz maximum
Ripple	0.5 ns p-p maximum	0.5 ns p-p maximum
Rejection	14.88–15.98 GHz > 80 dB 12.79–13.89 GHz > 50 dB	15.88–16.91 GHz > 80 dB 13.79–14.84 GHz > 50 dB
Switch positions	Select E1 = 0 V	Select E2 = 0 V
Return voltage	5 V	5 V

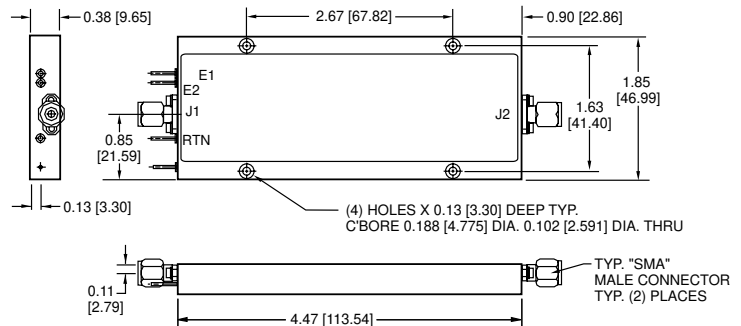
ENVIRONMENTAL CONDITIONS

Weight 30 grams
 Operating temperature 0 to 70°C
 Storage temperature -30 to +85°C

FUNCTIONAL BLOCK DIAGRAM



OUTLINE DRAWING



GENERAL NOTES:

1. Dimensions shown in brackets [] are in millimeters.
2. Tolerance as follows: .xx = ±0.01 [xx = ±0.25], .xxx = ±0.005 [xxx = ±0.13]