

TRANSMIT SWITCHED MULTIPLEXER

MODEL: 127086

FEATURE

- Three-channel design
- Insertion loss.....3 dB maximum
- Flatness0.5 dB maximum
- Isolation60 dB minimum



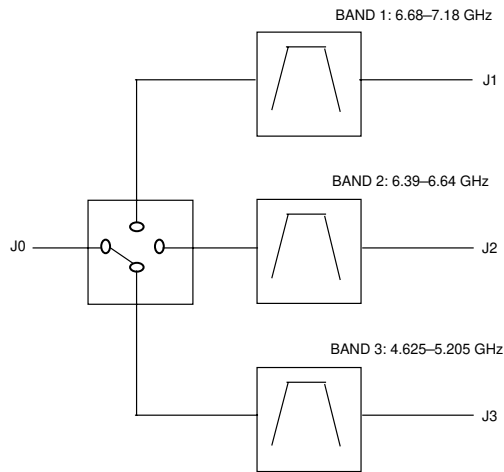
MITEQ'S model 127086 integrated, switched filter assembly features three channelized, printed circuit filter banks, individually selectable by a TTL driven, single-pole, three-throw PIN switch. This arrangement offers very low insertion loss, high isolation and excellent flatness over each passband. MITEQ's Microwave Assemblies, Systems and Technologies Group specializes in the manufacture of integrated switched frequency multiplexers and is able to offer a wide range of frequency ranges and a number of channels.

SPECIFICATIONS

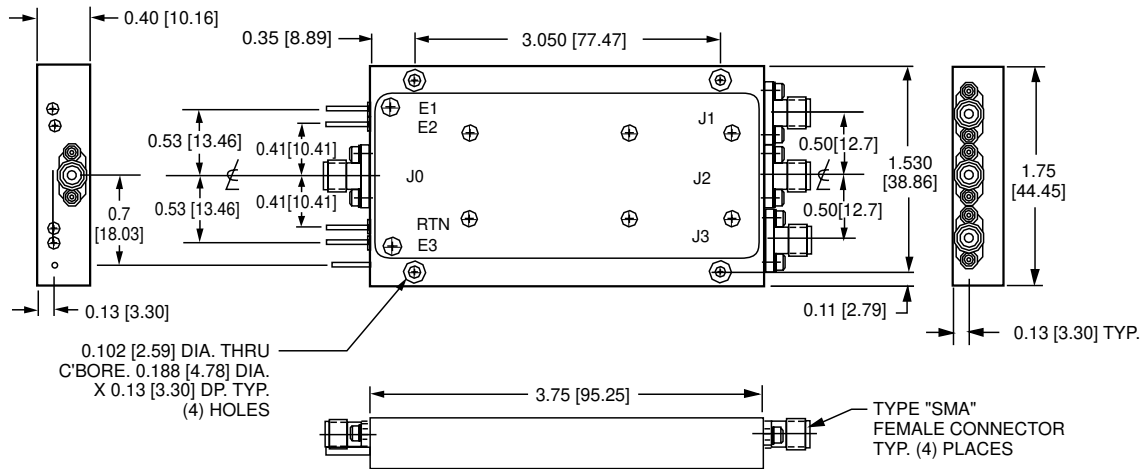
PARAMETERS	LIMITS
Frequency range	
Band 1	6.68–7.18 GHz
Band 2	6.39–6.64 GHz
Band 3	4.625–5.205 GHz
Isolation	60 dB minimum
Insertion loss	3 dB maximum
Flatness	0.5 dB/RF band
VSWR	1.5:1 maximum
Supply voltage	5.2 V
Control	0.C.= Off, GND = On
BPF Band 1	
Frequency	6.68–7.18 GHz
Rejection	> 20 dB at 8.35–8.975 GHz
Insertion loss	1 dB nominal
Flatness	0.7 dB nominal
VSWR	1.5:1 nominal
BPF Band 2	
Frequency	6.39–6.64 GHz
Rejection	> 20 dB at 4.79–4.98 GHz
Insertion loss	1 dB nominal
Flatness	0.7 dB nominal
VSWR	1.5:1 nominal
BPF Band 3	
Frequency	4.625–5.205 GHz
Rejection	> 20 dB at 5.78–6.51 GHz
Insertion loss	2 dB nominal
Flatness	0.7 dB nominal
VSWR	1.5:1 nominal

MODEL 127086 TYPICAL DATA

FUNCTIONAL BLOCK DIAGRAM



OUTLINE DRAWING



GENERAL NOTES:

1. Dimensions shown in brackets [] are in millimeters.
2. Tolerance as follows: .xx = ± 0.01 [.xx = ± 0.25], .xxx = ± 0.005 [.xxx = ± 0.13]