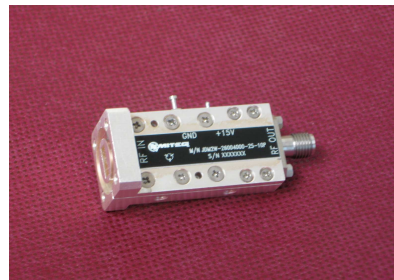


- Weather tight enclosure with hermetically sealed hybrid MIC
- Various waveguide flanges available
- Pressure windows available
- Optimizable narrow band performance
- Adaptable for cryogenic applications
- Space qualifiable

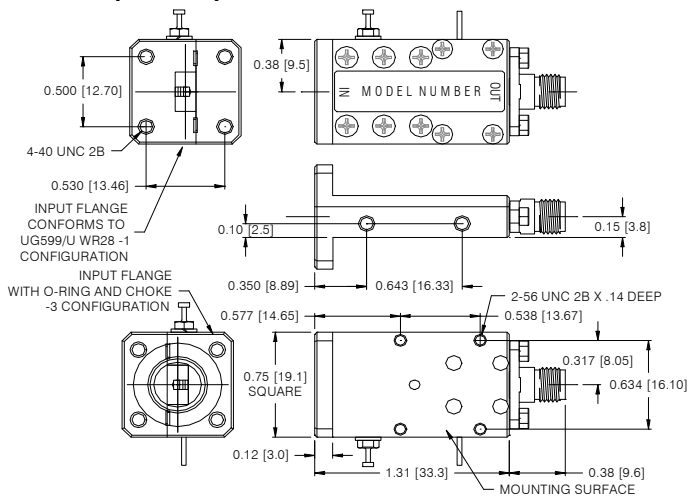


Specifications at +23°C

Parameter	Min	Typ	Max	Units
Frequency Range *	26.5 to 40			GHz
Gain	30			dB
Gain Flatness			±2.0	dB
Noise Figure			2.5	dB
Input Return Loss			-9.54	dB
Output Return Loss			-9.54	dB
Output Power @ 1 dB Compression (P1dB)	10			dBm
Output Third Order (IP3)		20		dBm
DC Voltage		15		VDC
DC Current (mA)		150		mA
Operating Temperature	-54		+85	°C
Storage Temperature	-65		+125	°C

* Usable to 26.0 GHz

Outline (195192)



Typical Performance at +23°C

