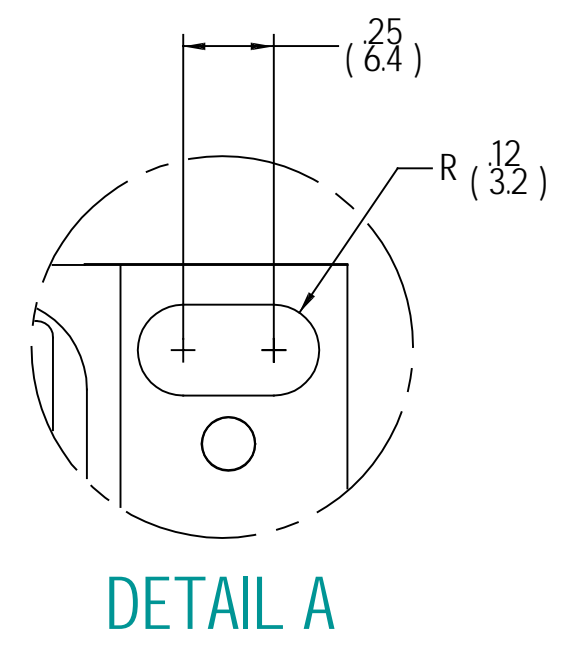
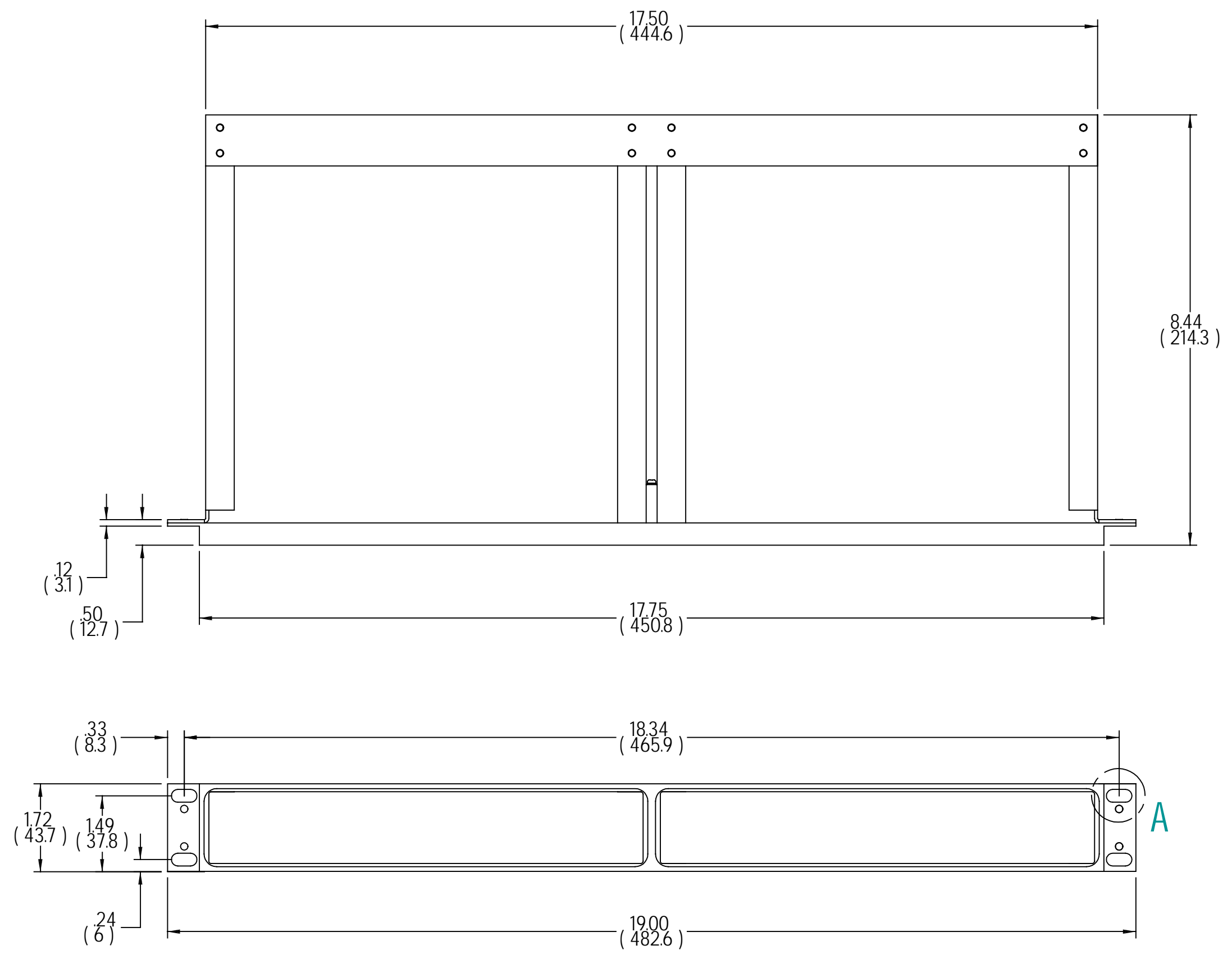



REVISIONS				
ZONE	LTR	DESCRIPTION	DATE	APPROVED
	A	Initial release	5/19/2005	



-5	-4	-3	-2	-1	NOMENCLATURE OR DESCRIPTION	SYM/NOTES	PART NO.	CODE IDENT.	ITEM NO.
					UNLESS OTHERWISE SPECIFIED DIMENSIONS ARE IN INCHES TOLERANCES ON	DRN BY <i>D. Sundberg</i>	DATE 5/19/2005	 100 Davids Drive, Hauppauge, New York 11788 <b>FRAME, RACK MOUNT</b>	
					DECIMALS .XX±.01 ANGLES .XXX±.005 ±0°30'	CHKD BY	APPROVED BY		
					MATERIAL ALUMINUM ALLOY	PROJ ENGR		SIZE C	CODE IDENT. NO. 33592
					FINISH GREY POWDER COAT	ENG SECT		REF	REV. A
					APPLICATION	Q.A.		SCALE	SHEET 1 OF 1
					NEXT ASSY				
					USED ON				

162243