



### Features

- Very Low Insertion Loss
- Excellent VSWR

### Typical Applications

- Satellite Communications
- Telecommunications
- Radar Systems

### **Electrical Specifications**

		<b>22-252.4A-6R</b>	<b>19-25V-6R</b>
Frequency Range	GHz	33-50	40-60
WG Size		WR22	WR19
VSWR (Typ.)		1.2	1.2
VSWR (Max.)		1.25	1.25
Insertion Loss (Typ.)	dB	0.2	0.25
Insertion Loss (Max.)	dB	0.35	0.4
Connector Type		2.4mm (F)	1.85mm (F)
Maximum Input Power (Avg.)	W	15	12

Note:

1. Maximum power is limited by coaxial connector.

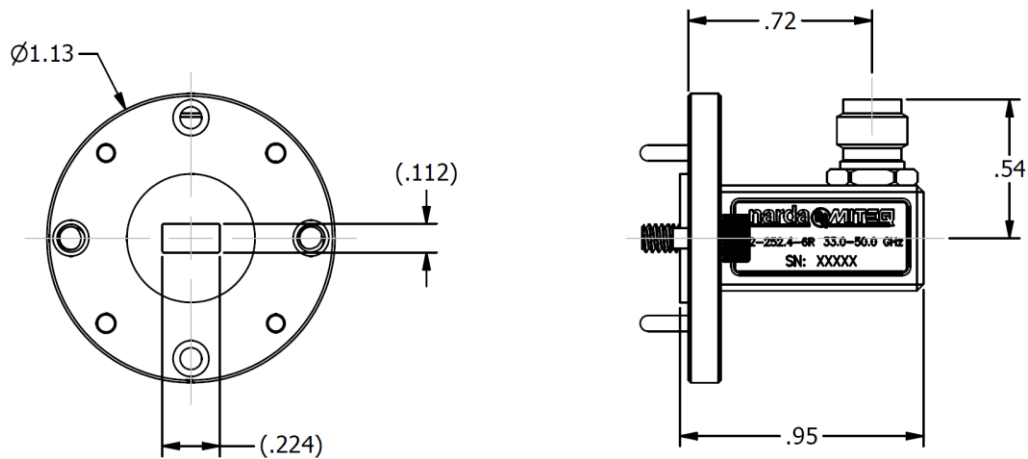
The material presented in this datasheet was current at the time of publication. Narda-MITEQ's continuing product improvement program makes it necessary to reserve the right to change our mechanical and electrical specifications without notice. If either of these parameters is critical, please contact the factory to verify that the information is current.

This material consists of Narda-MITEQ general capabilities information and does not contain controlled technical data as defined within the International Traffic in Arms (ITAR) Part 120.10 or Export Administration Regulations (EAR) Part 734.7-11. D-405/05.01.18

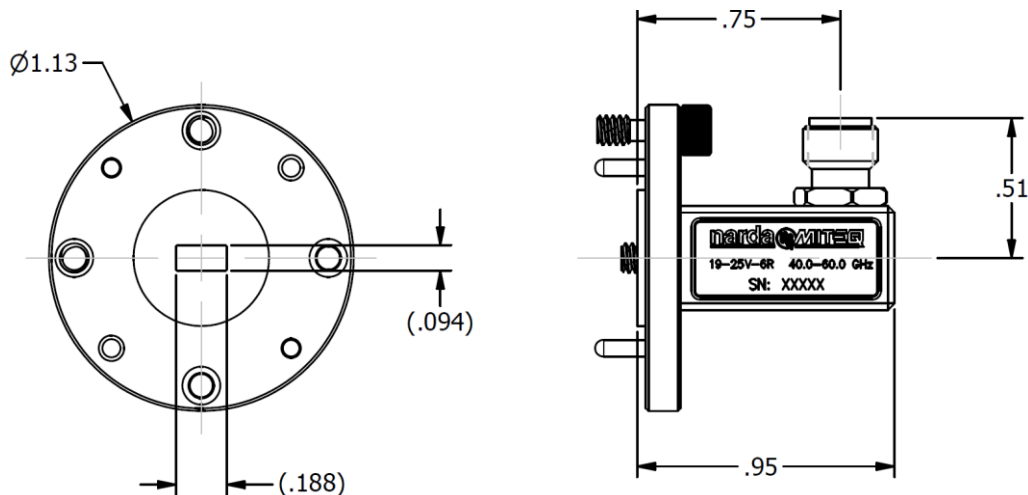


**Mechanical Specifications**

	<b>22-252.4A-6R</b>	<b>19-25V-6R</b>
Weight	14 g [0.49 oz.]	14 g [0.49 oz.]
Flange Type	UG-383/U (MIL-DTL-3922/67C-006)	UG-383/U Modified (MIL-DTL-3922/67C-007)
Material	6061 Aluminum	6061 Aluminum
Plating	Gold Plating per ASTM B488 Type I, Code C, Class 0.75 Over Electroless Nickel per ASTM B733 Type IV, Class 5	Gold Plating per ASTM B488 Type I, Code C, Class 0.75 Over Electroless Nickel per ASTM B733 Type IV, Class 5



**OUTLINE DRAWING - 22-252.4A-6R**



**OUTLINE DRAWING - 19-25V-6R**

DIMENSIONS ARE IN INCHES.  
 TOLERANCES:  
 DECIMAL: .X±.1, .XX'.01, .XXX'.005  
 ANGLES: 0°-30'